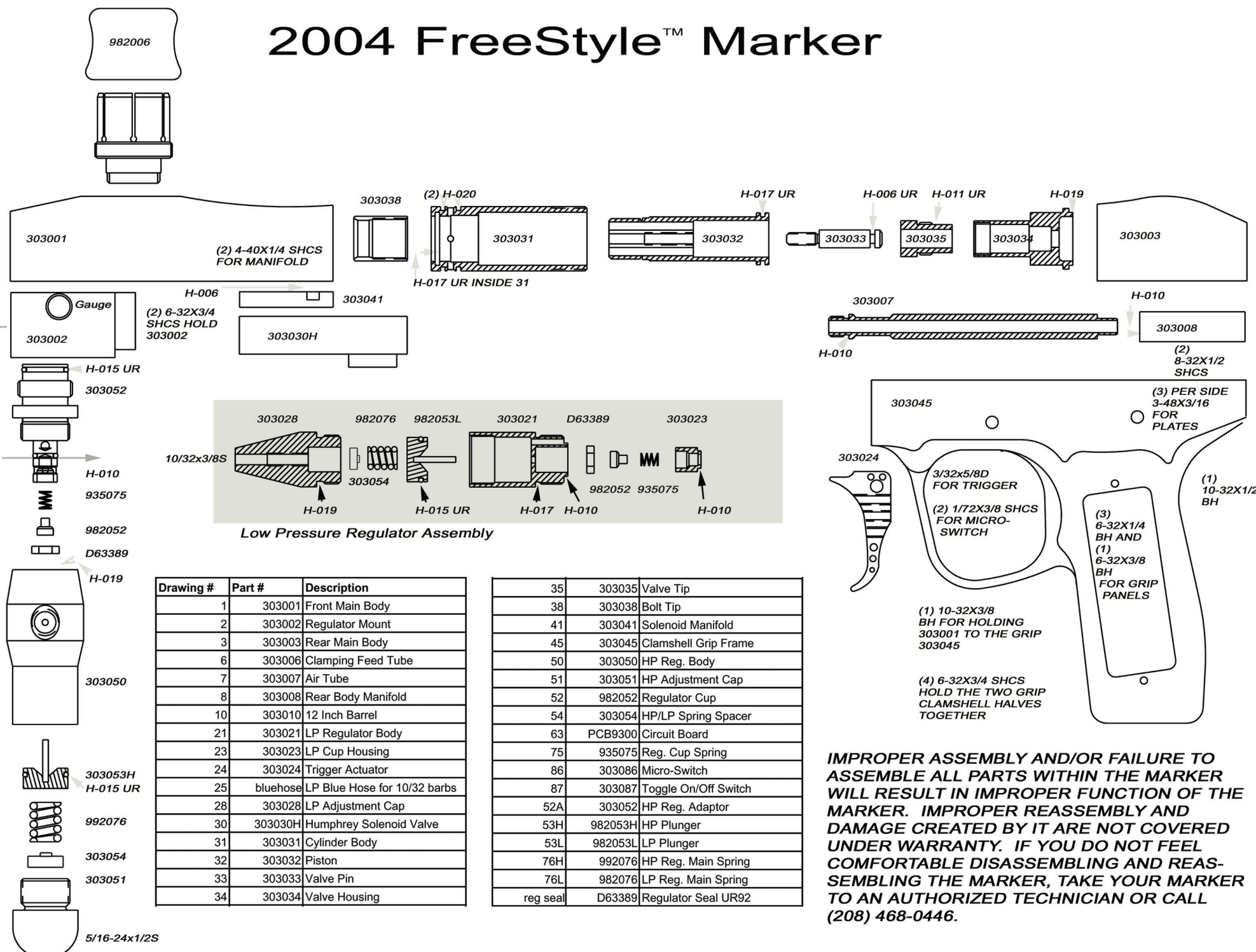


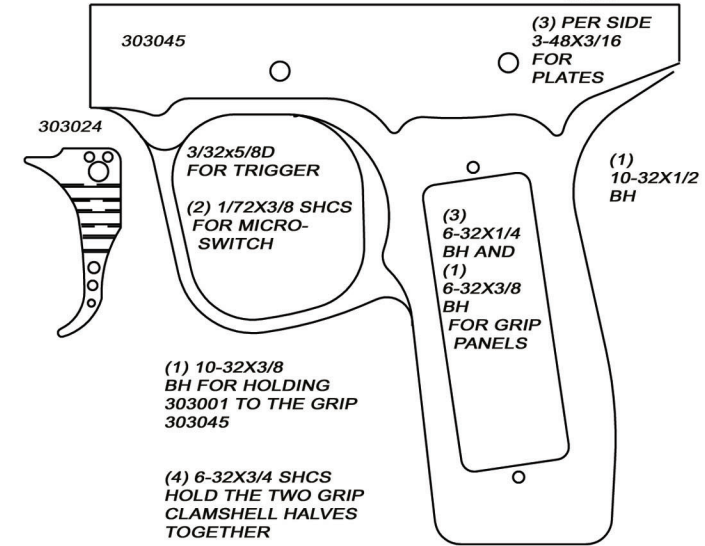
2004 FreeStyle™ Marker



Low Pressure Regulator Assembly

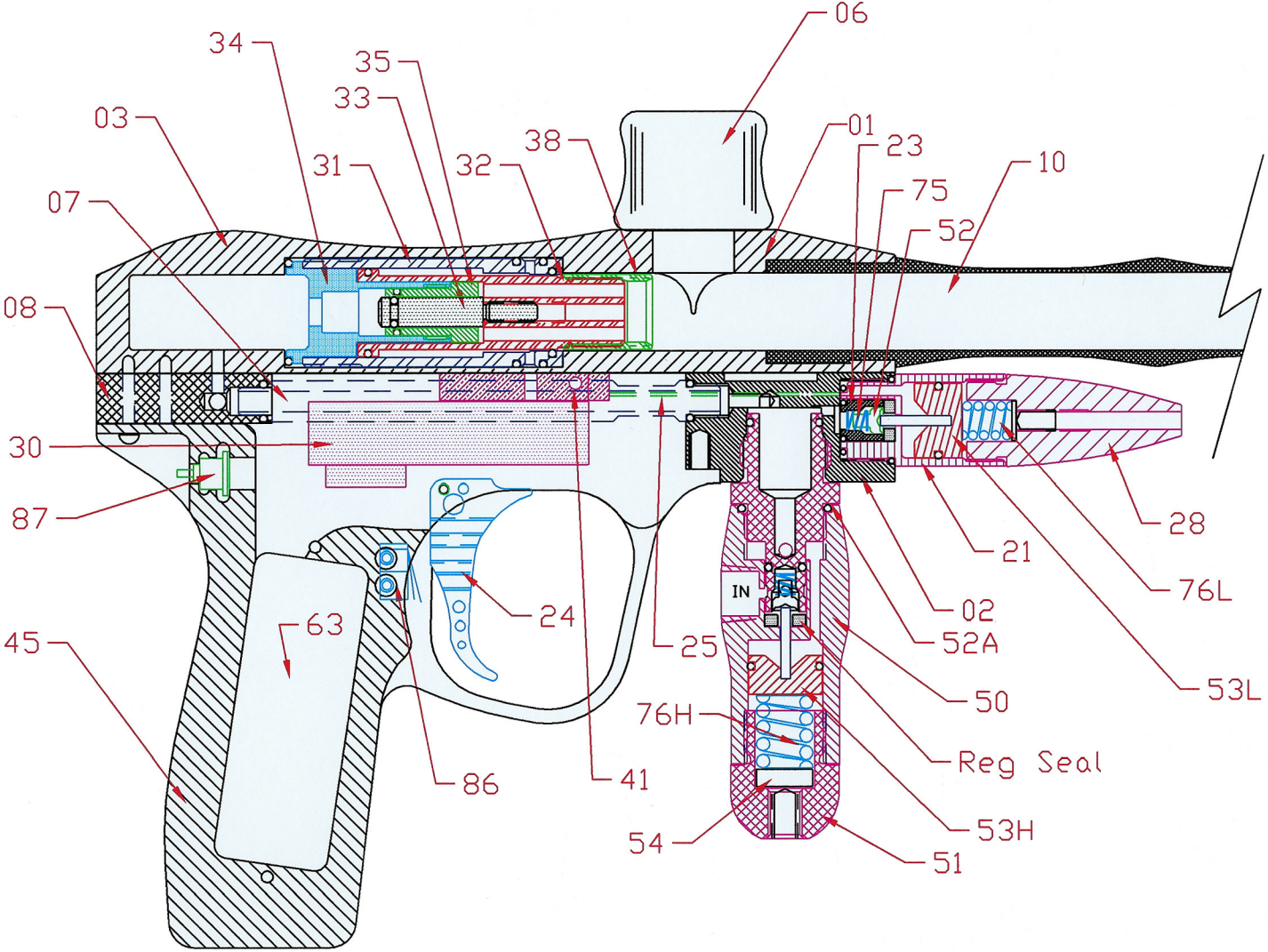
Drawing #	Part #	Description
1	303001	Front Main Body
2	303002	Regulator Mount
3	303003	Rear Main Body
6	303006	Clamping Feed Tube
7	303007	Air Tube
8	303008	Rear Body Manifold
10	303010	12 Inch Barrel
21	303021	LP Regulator Body
23	303023	LP Cup Housing
24	303024	Trigger Actuator
25	bluehose	LP Blue Hose for 10/32 barbs
28	303028	LP Adjustment Cap
30	303030H	Humphrey Solenoid Valve
31	303031	Cylinder Body
32	303032	Piston
33	303033	Valve Pin
34	303034	Valve Housing

35	303035	Valve Tip
38	303038	Bolt Tip
41	303041	Solenoid Manifold
45	303045	Clamshell Grip Frame
50	303050	HP Reg. Body
51	303051	HP Adjustment Cap
52	982052	Regulator Cup
54	303054	HP/LP Spring Spacer
63	PCB9300	Circuit Board
75	935075	Reg. Cup Spring
86	303086	Micro-Switch
87	303087	Toggle On/Off Switch
52A	303052	HP Reg. Adaptor
53H	982053H	HP Plunger
53L	982053L	LP Plunger
76H	992076	HP Reg. Main Spring
76L	982076	LP Reg. Main Spring
reg seal	D63389	Regulator Seal UR92



IMPROPER ASSEMBLY AND/OR FAILURE TO ASSEMBLE ALL PARTS WITHIN THE MARKER WILL RESULT IN IMPROPER FUNCTION OF THE MARKER. IMPROPER REASSEMBLY AND DAMAGE CREATED BY IT ARE NOT COVERED UNDER WARRANTY. IF YOU DO NOT FEEL COMFORTABLE DISASSEMBLING AND REASSEMBLING THE MARKER, TAKE YOUR MARKER TO AN AUTHORIZED TECHNICIAN OR CALL (208) 468-0446.

2004 FreeStyle™ Marker



Drawing #	Part #	Description
1	303001	Front Main Body
2	303002	Regulator Mount
3	303003	Rear Main Body
6	303006	Clamping Feed Tube
7	303007	Air Tube
8	303008	Rear Body Manifold
10	303010	12 Inch Barrel
21	303021	LP Regulator Body
23	303023	LP Cup Housing
24	303024	Trigger Actuator
25	bluehose	LP Blue Hose for 10/32 barbs
28	303028	LP Adjustment Cap
30	303030H	Humphrey Solenoid Valve
31	303031	Cylinder Body
32	303032	Piston
33	303033	Valve Pin
34	303034	Valve Housing
35	303035	Valve Tip
38	303038	Bolt Tip
41	303041	Solenoid Manifold
45	303045	Clamshell Grip Frame
50	303050	HP Reg. Body
51	303051	HP Adjustment Cap
52	982052	Regulator Cup
54	303054	HP/LP Spring Spacer
63	PCB9300	Circuit Board
75	935075	Reg. Cup Spring
86	303086	Micro-Switch
87	303087	Toggle On/Off Switch
52A	303052	HP Reg. Adaptor
53H	982053H	HP Plunger
53L	982053L	LP Plunger
76H	992076	HP Reg. Main Spring
76L	982076	LP Reg. Main Spring
reg seal	D63389	Regulator Seal UR92